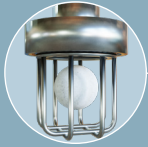


Hinged Lid Compartments

Neoprene Seals at Base and Below Lid



Oil Gravity Ball

Integral Vented Flow Control

Effluent Inflow

Strainer Basket

Silt Valve

Water Outflow

Immersion Heater

Main Separation Chamber

Oil Collection Cassette

Python GOS40

10 GPM Automatic Grease Removal Device

Python products outperform other systems on the market

Python is a leading innovator in grease removal technology, specializing in sustainable, environmentally-friendly automatic grease removal devices and related solutions.

Our patented, high-efficiency, cost-effective systems offer a range of unique features and benefits that set Python apart from similar products on the market.

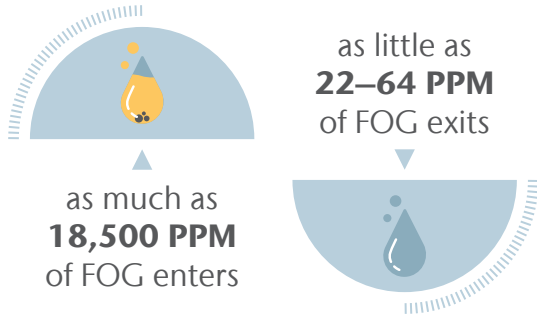


PythonTM
Automatic Grease Removal Device

Efficiency and Effectiveness

In the foodservice industry, significant amounts of fats, oils, and greases (FOG) mix with water and are flushed down the drain. This FOG-polluted water is costly and detrimental, as it clogs drains, burdens sewage systems, and pollutes the environment.

So why not stop FOG at its source?



Along with FOG, Python systems consistently achieve a 96.4% grease removal efficiency, outperforming competing systems in the market.

Convenient Compact Build

The Python GOS40 features a unique system design that allows for multiple discharge configurations while maintaining a small footprint, making it easy to install and retrofit.

Durability and Low Maintenance

Customers across various industries leverage Python solutions to ensure they have effective and reliable systems in place. Thanks to the durability and longevity of our products, customers also benefit from a positive return on investment.

- Heavy-duty 14 gauge, grade 304 stainless steel exterior construction
- No moving parts = less maintenance
- 5 year limited warranty

ACO New Zealand

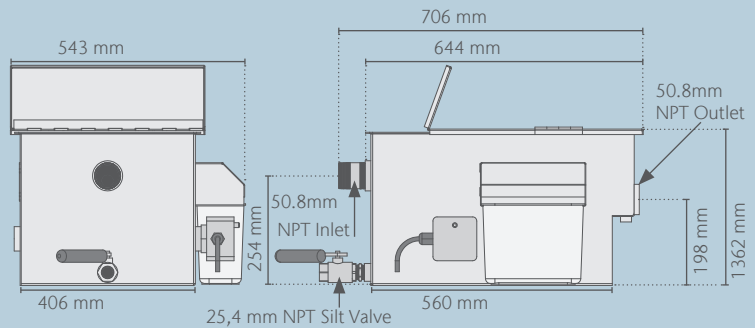
35 Te Tiki Road
Mangere, Auckland 2022
Tel: 0800 448 080
info@aconz.co.nz

© July 2024 ACO, Inc.
All reasonable care has been taken in compiling the information in this document. All recommendations and suggestions on the use of ACO products are made without guarantee since the conditions of use are beyond the control of the company. It is the customer's responsibility to ensure that each product is fit for its intended purpose and that the actual conditions of use are suitable. ACO, Inc. reserves the right to change products and specifications without notice.

GOS20 Details

Part No.	139540
Flow Rate	37.85 LPM
Height	362 mm
Length ¹	644 mm
Width ²	406 mm
Height to Inlet Center ³	254 mm
Height to Outlet Center ³	198 mm
Weight	34.0194 kg

1. Length does not include Silt Valve.
2. Width does not include 88.9mm for cassette and oil shroud.
3. Inlet/Outlet height is measured to the center.



Typical Applications



Python GOS40 meets (and exceeds) industry codes and standards including UL, IPC, UPC, IRC, NPC, ASME A112.14.3, ASME A1123.14.4, and PDI G101.



ACO. we care for water

